



2016 CATALOG

SUNRISE BICYCLE INDUSTRIAL CO., LTD.



SUNRISE



P03 ROAD RACE

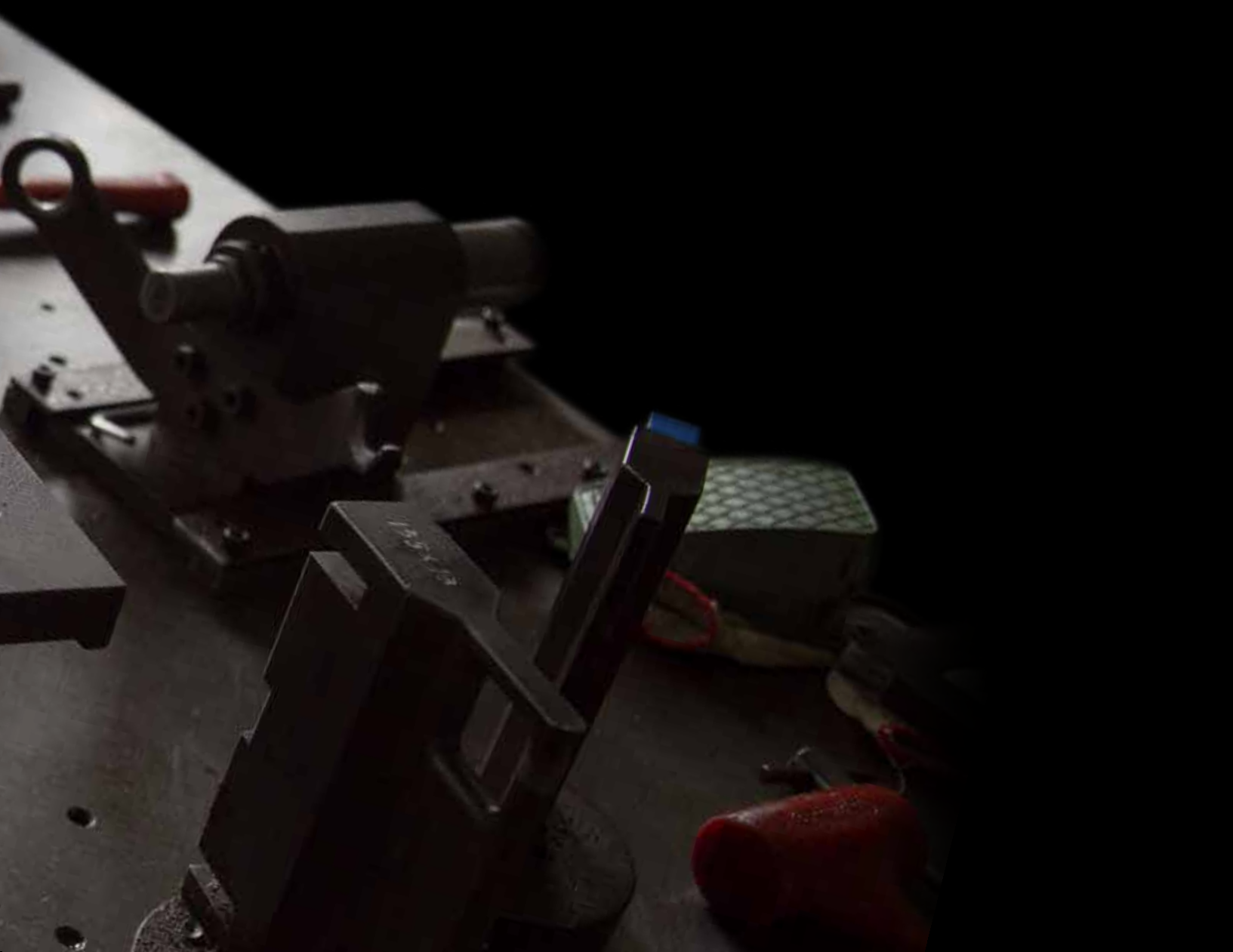
P05 HARDTAIL

P09 FULL SUSPENSION

P11 E-BIKE HARDTAIL

P15 E-BIKE FULL SUSPENSION

P19 E-BIKE TREKKING



ROAD 700C

Drawing NO.	H99970RCAA01
Material	Alloy 99M
Frame size	45/48/51/54/57cm
Wheel size	700Cx23C
Fork length	368mm
Fork steerer	1-1/8" / 1.5" Tapered
Headset	FSA NO.42B

Bottom bracket	BB86 optional BSA/PF30
Dropout	QR/OLD130mm
Seat post	27.2mm
Cable routing	Internal (FΔ)
Weld	Smooth Weld
Weight	1085g (51cm)



ROAD 700C

Drawing NO.	H99970RCAA03
Material	TT+DT Alloy 99M others 6061
Frame size	45/48/51/54/57cm
Wheel size	700Cx25C
Fork length	368mm
Fork steerer	1-1/8" / 1.5" Tapered
Headset	FSA NO.42B

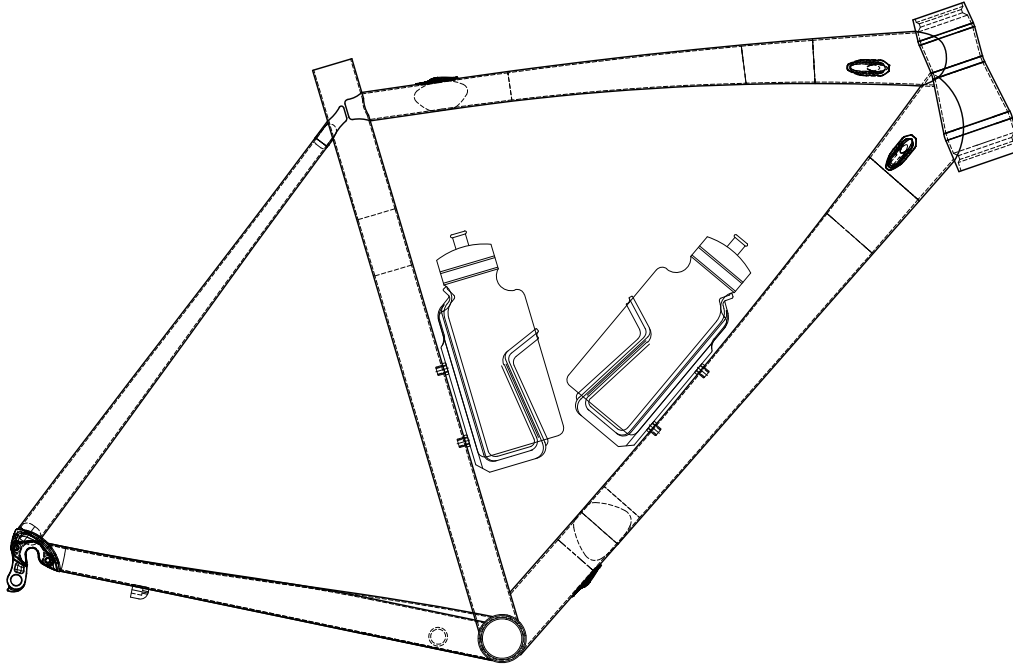
Bottom bracket	PF30 optional BB86/BSA
Dropout	QR/OLD130mm
Seat post	27.2mm
Cable routing	External
Weld	Smooth Weld
Weight	1060g (51cm)



ROAD 700C

Drawing NO.	S99970RCAA01
Material	Alloy 6061 (C/S 99M)
Frame size	45/48/51/54/57cm
Wheel size	700Cx25C
Fork length	368mm
Fork steerer	1-1/8" / 1.5" Tapered
Headset	FSA NO.42B

Bottom bracket	BSA optional BB86/PF30
Dropout	QR/OLD130mm
Seat post	31.6mm
Cable routing	Internal (FΔ)
Weld	Smooth Weld
Weight	1280g (51cm)



ROAD-Eco

Drawing NO.	S99970RCAA02
Material	Alloy 6061
Frame size	45/48/51/54/57cm
Wheel size	700Cx25C
Fork length	368mm
Fork steerer	1-1/8"
Headset	FSA NO.8B

Bottom bracket	BSA (BB92/PF30 Opt.)
Dropout	QR /OLD 130mm
Seat post	31.6mm
Cable routing	Internal (FΔ)
Weld	TIG (HT/TT-SS Smooth Weld)
Weight	1520g (51cm)



ROAD DISC 700C

Drawing NO.	H99970RCAA02
Material	Alloy 99M
Frame size	45/48/51/54/57cm
Wheel size	700Cx32C
Fork length	368mm
Fork steerer	1-1/8" / 1.5" Tapered
Headset	FSA NO.42B

Bottom bracket	BSA optional BB86/PF30
Dropout	QR/OLD135mm
Disc brake	Flat Mount
Seat post	31.6mm
Cable routing	Internal (FΔ Shifting)
Weld	Smooth Weld
Weight	1330g (51cm)



MTB 27.5"

Drawing NO.	S99927MTAA01
Material	TT / ST / DT Alloy 99M others 6061
Frame size	15"/17"/19"
Wheel size	27.5"x2.35"
Fork length	490mm
Fork steerer	1-1/8" / 1.5" Tapered
Fork travel	100mm
Headset	FSA NO.57

Bottom bracket	BB92 optional PF30/BSA
Dropout	QR/OLD135mm
Disc brake	Post Mount
Seat post	31.6mm
Cable routing	Internal (FΔ Shifting)
Weld	Smooth Weld
Weight	1555g (17")



MTB 27.5"

Drawing NO.	S99927MTAA03
Material	Alloy 6061
Frame size	15"/17"/19"
Wheel size	27.5"x2.1"
Fork length	489mm
Fork steerer	1-1/8" / 1.5" Tapered
Fork travel	100mm
Headset	FSA NO.57

Bottom bracket	BSA optional BB92/PF30
Dropout	QR/OLD135mm
Disc brake	Post Mount
Seat post	31.6mm
Cable routing	Internal (FΔ Shifting)
Weld	TIG (HT Smooth Weld)
Weight	1790g (17")



MTB 27.5"

Drawing NO.	S99927MTAA04
Material	TT+DT Alloy 99M others 6061
Frame size	15"/17"/19"
Wheel size	27.5"x2.2"
Fork length	490mm
Fork steerer	1-1/8" / 1.5" Tapered
Fork travel	100mm
Headset	FSA NO.57

Bottom bracket	BB92 optional PF30/BSA
Dropout	Thru-Axle M12xP1.75(Sram)/OLD142mm
Disc brake	Post Mount
Seat post	31.6mm
Cable routing	Internal (FΔ Shifting)
Weld	Smooth Weld
Weight	1540g (17")



MTB 27.5"

Drawing NO.	S99927MTAA05
Material	Alloy 6061
Frame size	15"/17"/19"
Wheel size	27.5"x2.1"
Fork length	490mm
Fork steerer	1-1/8" / 1.5" Tapered
Fork travel	100mm
Headset	FSA NO.57

Bottom bracket	BSA optional BB92/PF30
Dropout	QR/OLD135mm
Disc brake	Post Mount
Seat post	31.6mm
Cable routing	External (DT Internal)
Weld	Smooth Weld
Weight	1415g (17")



MTB-Eco.

Drawing NO.	S99927MTAA07
Material	Alloy 6061
Frame size	15"/17"/19"
Wheel size	27.5"x2.35"
Fork length	490mm
Fork steerer	1-1/8"
Fork travel	100mm
Headset	FSA ZS-4

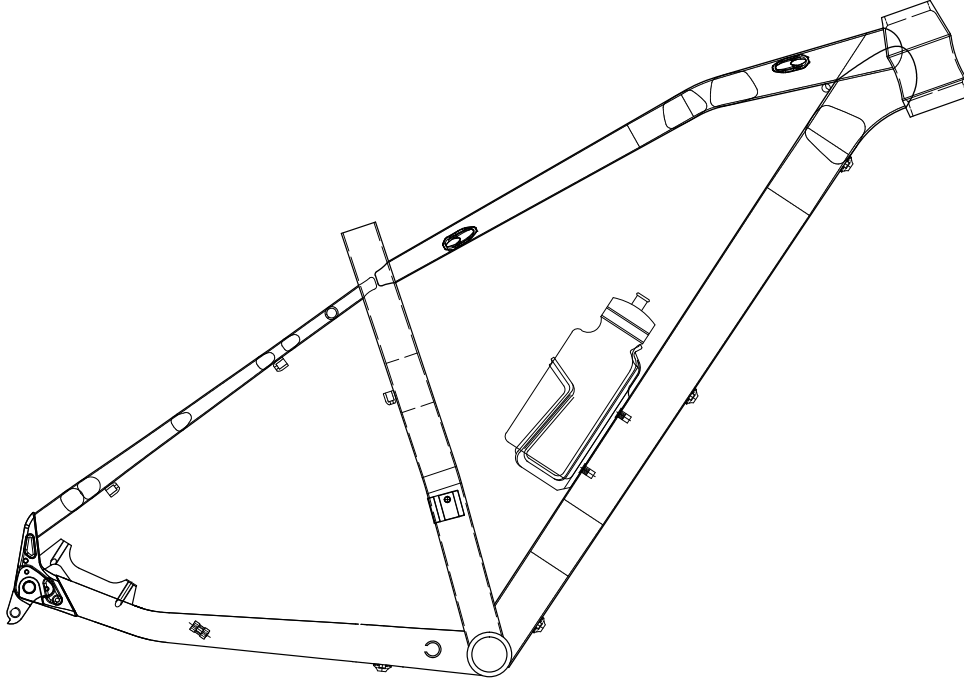
Bottom bracket	BSA (BB92/PF30 Opt.)
Dropout	QR /OLD 135mm
Disc brake	Is Mount
Seat post	31.6mm
Cable routing	Internal (FΔ)
Weld	TIG
Weight	1860g (17")



MTB 27.5"+

Drawing NO.	S99927MTAA02
Material	Alloy 6061
Frame size	15"/17"/19"
Wheel size	27.5"x3"
Fork length	505mm
Fork steerer	1-1/8" / 1.5" Tapered
Fork travel	100mm
Headset	FSA NO.57

Bottom bracket	BSA optional BB92/PF30
Dropout	Thru-Axle M12xP1.5(Shimano)/OLD148mm
Disc brake	Post Mount
Seat post	31.6mm
Cable routing	Internal (FΔ Shifting)
Weld	TIG (TT-SS Smooth Weld)
Weight	2050g (17")



MTB 27.5"+

Drawing NO.	S99927MTAA06
Material	Alloy 6061
Frame size	15"/17"/19"
Wheel size	27.5"x3"
Fork length	490mm
Fork steerer	1-1/8" / 1.5" Tapered
Fork travel	100mm
Headset	FSA NO.57

Bottom bracket	BSA optional BB92/PF30
Dropout	Thru-Axle M12 x P1.5(Shimano)/OLD148mm
Disc brake	Post Mount
Seat post	31.6mm
Cable routing	Internal (FΔ Shifting)
Weld	Smooth Weld
Weight	1880g (17")



MTB 29"

Drawing NO.	S99929MTAA01
Material	Alloy 6061
Frame size	15"/17"/19"
Wheel size	29"x2.35"
Fork length	505mm
Fork steerer	1-1/8" / 1.5" Tapered
Fork travel	100mm
Headset	FSA NO.57

Bottom bracket	BSA optional BB92/PF30
Dropout	QR/OLD135mm
Disc brake	Post Mount
Seat post	31.6mm
Cable routing	Internal (FΔ Shifting)
Weld	TIG (HT/TT-SS Smooth Weld)
Weight	2040g (17")



Suspension XC 27.5"

Drawing NO.	H99927SPAA03
Material	Alloy 6061
Frame size	15"/17"/19"
Wheel size	27.5"x2.35"
Fork length	505mm
Fork steerer	1-1/8" / 1.5" Tapered
Fork travel	120mm
Headset	FSA NO.57
Bottom bracket	PF30

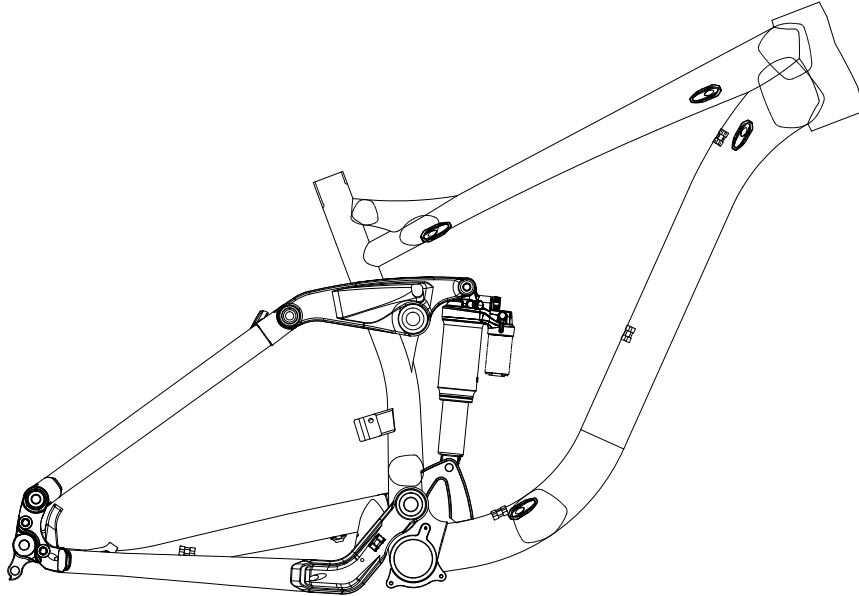
Dropout	Thru-Axle M12xP1.75(Sram)/OLD142mm
Disc brake	Post Mount
Seat post	31.6mm
Cable routing	Internal (FΔ Shifting)
Weld	Smooth Weld
Shock length	165mm
Shock travel	38mm
Wheel travel	100mm&120mm Travel Adjustable
Weight	2710g (17") w/o shock



Suspension AM 27.5"

Drawing NO.	H99927SPAA01
Material	Alloy 6061 (C/S 99M)
Frame size	15"/17"/19"
Wheel size	27.5"x2.35"
Fork length	515mm
Fork steerer	1-1/8" / 1.5" Tapered
Fork travel	130mm
Headset	FSA NO.57
Bottom bracket	PF30

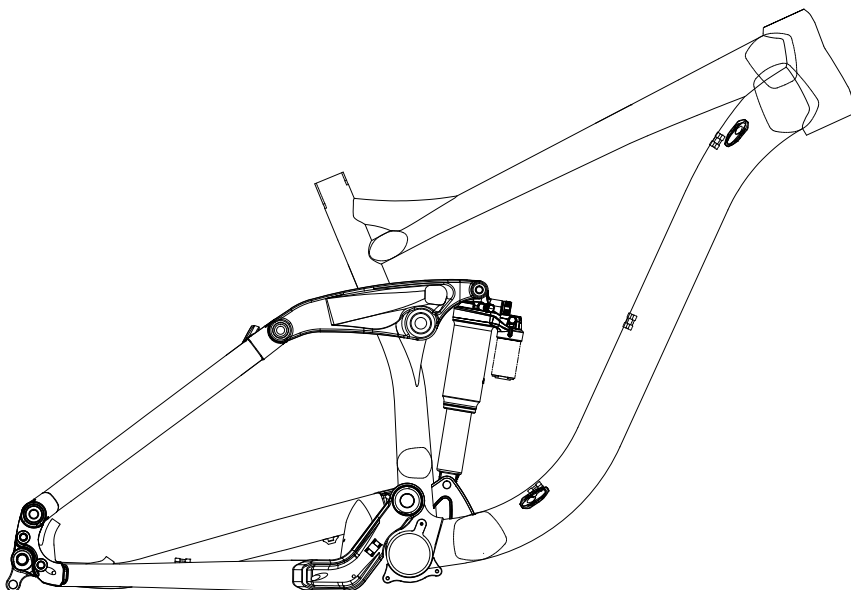
Dropout	Thru-Axle M12xP1.75(Sram)/OLD142mm
Disc brake	Post Mount
Seat post	30.9mm
Cable routing	Internal (Shifting)
Weld	Smooth Weld
Shock length	200mm
Shock travel	57mm
Wheel travel	150mm
Weight	3600g (17") w/o shock



Suspension ED 27.5"

Drawing NO.	H99927SPAA02
Material	Alloy 6061 (C/S 99M)
Frame size	15"/17"/19"
Wheel size	27.5"x2.35"
Fork length	555mm
Fork steerer	1-1/8" / 1.5" Tapered
Fork travel	160mm
Headset	FSA NO.57
Bottom bracket	PF30

Dropout	Thru-Axle M12xP1.75(Sram)/OLD142mm
Disc brake	Post Mount
Seat post	30.9mm
Cable routing	Internal (Shifting)
Weld	Smooth Weld
Shock length	222mm
Shock travel	70mm
Wheel travel	194mm
Weight	3845g (17") w/o shock



Suspension XC 29"

Drawing NO.	H99929SPAA01
Material	Alloy 6061 (C/S 99M)
Frame size	15"/17"/19"
Wheel size	29"x2.35"
Fork length	531mm
Fork steerer	1-1/8" / 1.5" Tapered
Fork travel	120mm
Headset	FSA NO.57
Bottom bracket	PF30

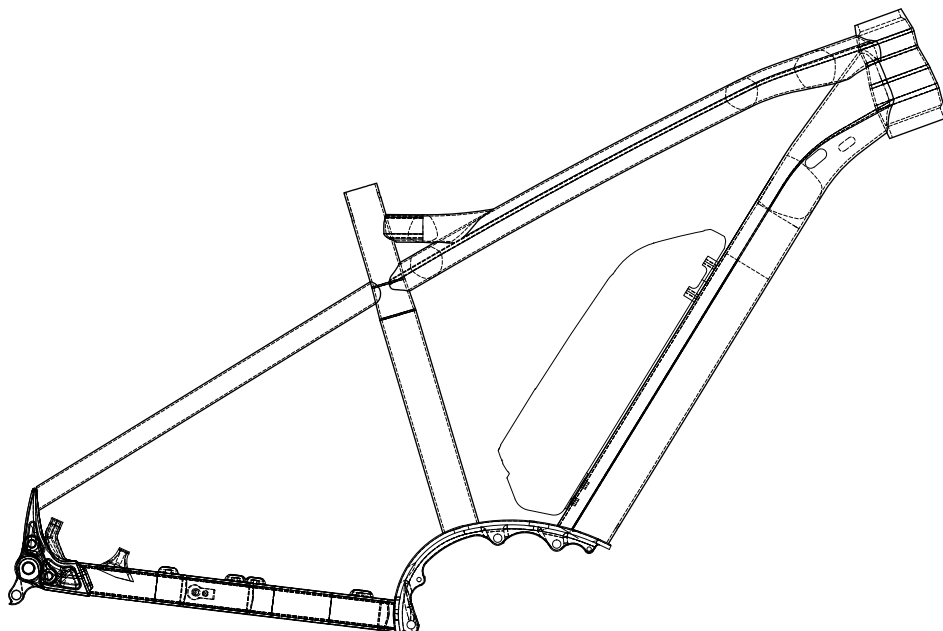
Dropout	Thru-Axle M12xP1.75(Sram)/OLD142mm
Disc brake	Post Mount
Seat post	31.6mm
Cable routing	Internal (Shifting)
Weld	Smooth Weld
Shock length	165mm
Shock travel	38mm
Wheel travel	100mm
Weight	3160g (17") w/o shock



E-MTB 27.5"(BOSCH)

Drawing NO.	S99927EBAA01
Material	Alloy 6061
Frame size	16"/18"/20"
Wheel size	27.5"x2.35"
Fork length	488mm
Fork steerer	1-1/8" / 1.5" Tapered
Fork travel	100mm
Headset	FSA NO.57

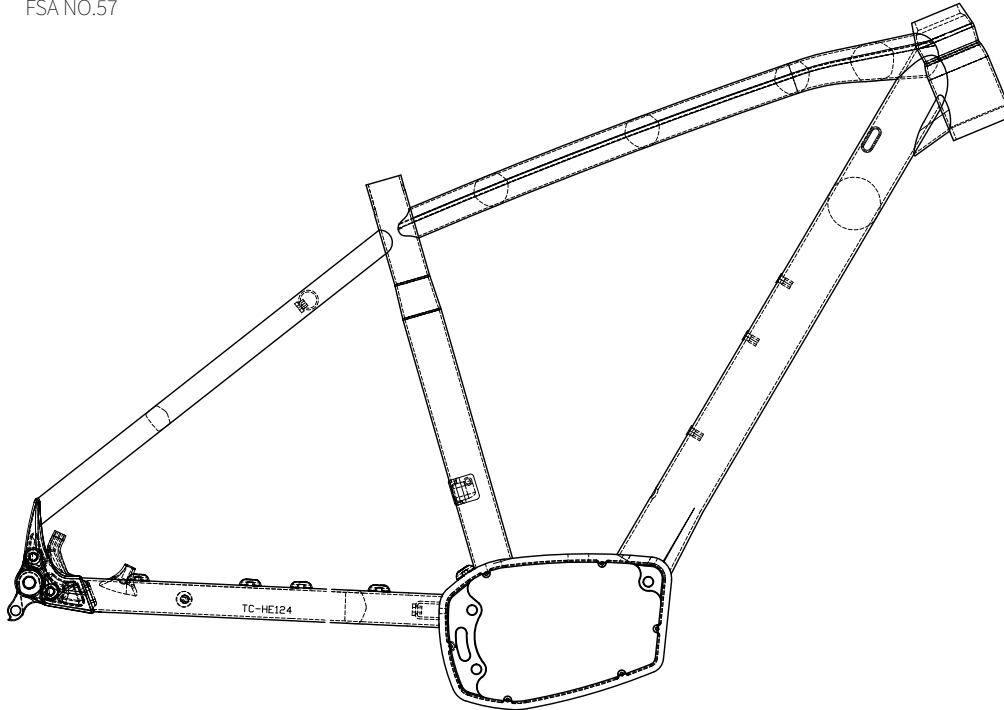
Motor system	BOSCH
Dropout	Thru-Axle M12xP1.75(Sram)/OLD142mm
Disc brake	Post Mount
Seat post	30.9mm
Cable routing	Internal (FΔ)
Weld	TIG
Weight	2680g (18")



E-MTB 27.5”(BROSE/BMZ V5 Battery)

Drawing NO.	S99927EBAA03
Material	Alloy 6061
Frame size	16"/18"/20"
Wheel size	27.5"x2.35"
Fork length	488mm
Fork steerer	1-1/8" / 1.5" Tapered
Fork travel	100mm
Headset	FSA NO.57

Motor system	BROSE
Dropout	Thru-Axle M12xP1.75(Sram)/OLD142mm
Disc brake	Post Mount
Seat post	30.9mm
Cable routing	Internal (FΔ)
Weld	TIG
Weight	3260g (18")



E-MTB 27.5 (SHIMANO)

Drawing NO.	S99927EBAA04
Material	Alloy 6061
Frame size	16"/18"/20"
Wheel size	27.5"x2.35"
Fork length	488mm
Fork steerer	1-1/8" / 1.5" Tapered
Fork travel	100mm
Headset	FSA NO.57

Motor system	SHIMANO E8000
Dropout	QR/OLD 135mm
Disc brake	Post Mount
Seat post	30.9mm
Cable routing	Internal (FΔ)
Weld	TIG
Weight	2700g (18")



E-MTB 27.5+ (BOSCH)

Drawing NO.	S99927EBAA06
Material	Alloy 6061
Frame size	16"/18"/20"
Wheel size	27.5"x3.0"
Fork length	505mm
Fork steerer	1-1/8" / 1.5" Tapered
Fork travel	100mm
Headset	FSA NO.57

Motor system	BOSCH
Dropout	Thru-Axle M12xP1.5 (M12xP1.75 Opt.)
Disc brake	Post Mount
Seat post	30.9mm
Cable routing	Internal (FΔ)
Weld	TIG
Weight	2650g (18")



E-MTB 27.5+ (BROSE/BMZ V5 Battery)

Drawing NO.	S99927EBAA07
Material	Alloy 6061
Frame size	16"/18"/20"
Wheel size	27.5"x3.0"
Fork length	505mm
Fork steerer	1-1/8" / 1.5" Tapered
Fork travel	100mm
Headset	FSA NO.57

Motor system	BROSE+BMZ V5
Dropout	Thru-Axle M12xP1.5 (M12xP1.75 Opt.)
Disc brake	Post Mount
Seat post	30.9mm
Cable routing	Internal (FΔ)
Weld	TIG
Weight	3000g (18")



E-MTB 27.5+ (BROSE/BMZ UR-V7 Battery)

Drawing NO.	H99927EBAA12
Material	Alloy 6061
Frame size	16"/18"/20"
Wheel size	27.5"x3.0"
Fork length	505mm
Fork steerer	1-1/8" / 1.5" Tapered
Fork travel	100mm
Headset	FSA NO.57

Motor system	BROSE+BMZ UR-V7
Dropout	Thru-Axle M12xP1.5 (M12xP1.75 Opt.)
Disc brake	Post Mount
Seat post	30.9mm
Cable routing	Internal (FΔ)
Weld	TIG
Weight	3860g (18")



E-MTB 27.5+ (SHIMANO)

Drawing NO.	S99927EBAA05
Material	Alloy 6061
Frame size	16"/18"/20"
Wheel size	27.5"x3.0"
Fork length	505mm
Fork steerer	1-1/8" / 1.5" Tapered
Fork travel	100mm
Headset	FSA NO.57

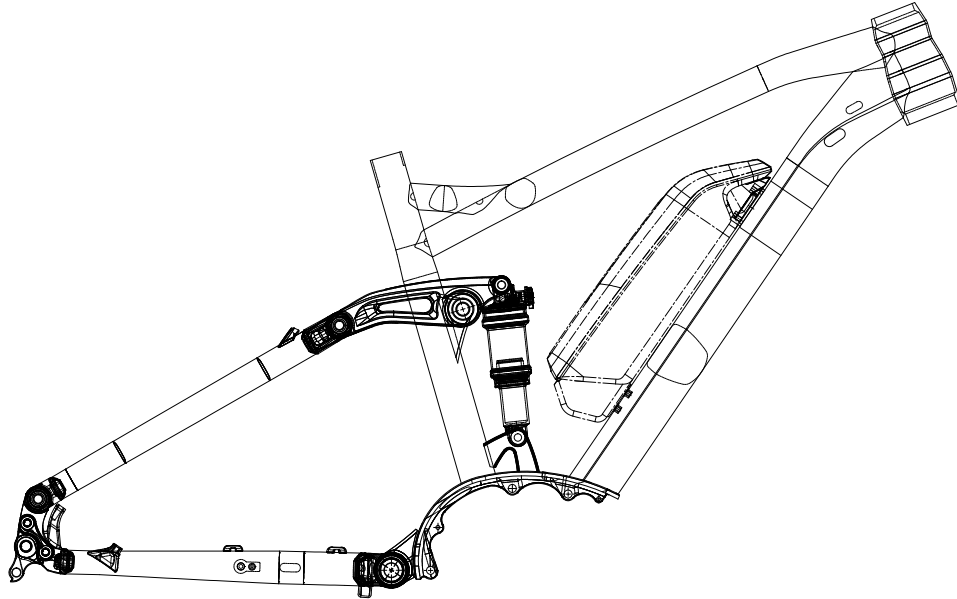
Motor system	SHIMANO E8000
Dropout	Thru-Axle M12xP1.5 (M12xP1.75 Opt.)
Disc brake	Post Mount
Seat post	30.9mm
Cable routing	Internal (FΔ)
Weld	TIG
Weight	2730g (18")



E-Suspension XC 27.5”(BOSCH)

Drawing NO.	H99927EBAA02
Material	Alloy 6061
Frame size	16"/18"/20"
Wheel size	27.5"x2.35"
Fork length	512mm
Fork steerer	1-1/8" / 1.5" Tapered
Fork travel	120mm
Headset	FSA NO.57
Motor system	BOSCH

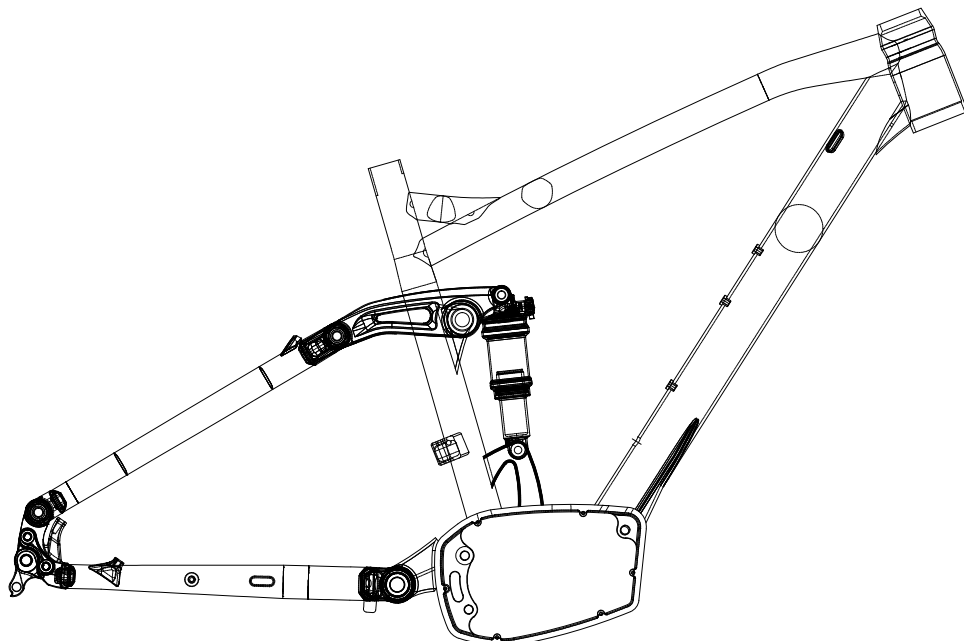
Dropout	Thru-Axle M12xP1.75(Sram)/OLD142mm
Disc brake	Post Mount
Seat post	30.4mm
Cable routing	Internal (FΔ)
Weld	Smooth Weld
Shock length	165mm
Shock travel	38mm
Wheel travel	100mm
Weight	3400g (18") w/o shock



E-Suspension XC 27.5”(BROSE/BMZ V5 Battery)

Drawing NO.	H99927EBAA05
Material	Alloy 6061
Frame size	16"/18"/20"
Wheel size	27.5"x2.35"
Fork length	512mm
Fork steerer	1-1/8" / 1.5" Tapered
Fork travel	120mm
Headset	FSA NO.57
Motor system	BROSE

Dropout	Thru-Axle M12xP1.75(Sram)/OLD142mm
Disc brake	Post Mount
Seat post	30.4mm
Cable routing	Internal
Weld	Smooth Weld
Shock length	165mm
Shock travel	38mm
Wheel travel	100mm
Weight	3980g (18") w/o shock



E-Suspension XC 27.5 (SHIMANO)

Drawing NO.	H99927EBAA08
Material	Alloy 6061
Frame size	16"/18"/20"
Wheel size	27.5"x2.35"
Fork length	512mm
Fork steerer	1-1/8" / 1.5" Tapered
Fork travel	120mm
Headset	FSA NO.57
Motor system	SHIMANO E8000

Dropout	Thru-Axle M12xP1.75
Disc brake	Post Mount
Seat post	30.4mm
Cable routing	Internal (FΔ)
Weld	Smooth Weld
Shock Length	165mm
Shock Travel	38mm
Wheel Travel	100mm
Weight	3822g (18"ref.)



E-Suspension AM 27.5"(BOSCH)

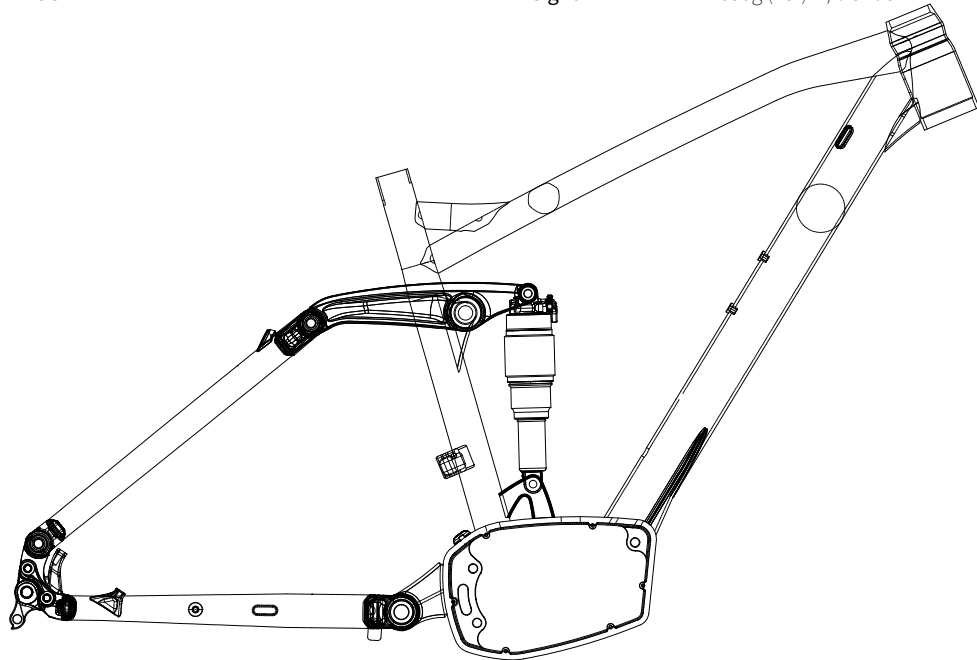
Drawing NO.	H99927EBAA01
Material	Alloy 6061
Frame size	16"/18"/20"
Wheel size	27.5"x2.35"
Fork length	552mm
Fork steerer	1-1/8" / 1.5" Tapered
Fork travel	160mm
Headset	FSA NO.57
Motor system	BOSCH

Dropout	Thru-Axle M12xP1.75(Sram)/OLD142mm
Disc brake	Post Mount
Seat post	30.4mm
Cable routing	Internal (FΔ)
Weld	Smooth Weld
Shock length	200mm
Shock travel	57mm
Wheel travel	140mm
Weight	3700g (18") w/o shock



E-Suspension AM 27.5”(BROSE/BMZ V5 Battery)

Drawing NO.	H99927EBAA06	Dropout	Thru-Axle M12xP1.75(Sram)/OLD142mm
Material	Alloy 6061	Disc brake	Post Mount
Frame size	16"/18"/20"	Seat post	30.4mm
Wheel size	27.5"x2.35"	Cable routing	Internal
Fork length	552mm	Weld	Smooth Weld
Fork steerer	1-1/8" / 1.5" Tapered	Shock length	200mm
Fork travel	160mm	Shock travel	57mm
Headset	FSA NO.57	Wheel travel	140mm
Motor system	BROSE	Weight	4030g (18") w/o shock



E-Suspension AM 27.5 (SHIMANO)

Drawing NO.	H99927EBAA07	Dropout	Thru-Axle M12xP1.75
Material	Alloy 6061	Disc brake	Post Mount
Frame size	16"/18"/20"	Seat post	30.4mm
Wheel size	27.5"x2.35"	Cable routing	Internal (FΔ)
Fork length	552mm	Weld	Smooth Weld
Fork steerer	1-1/8" / 1.5" Tapered	Shock length	200mm
Fork travel	160mm	Shock travel	57mm
Headset	FSA NO.57	Wheel travel	140mm
Motor system	SHIMANO E8000	Weight	3838g (18"ref.)



E-Suspension AM 27.5+ (BOSCH)

Drawing NO.	H99927EBAA10
Material	Alloy 6061
Frame size	16"/18"/20"
Wheel size	27.5"x3.0"
Fork length	571mm
Fork steerer	1-1/8" / 1.5" Tapered
Fork travel	160mm
Headset	FSA NO.57
Motor system	BOSCH

Dropout	Thru-Axle M12xP1.75
Disc brake	Post Mount
Seat post	30.4mm
Cable routing	Internal (FΔ)
Weld	Smooth Weld
Shock length	200mm
Shock travel	57mm
Wheel travel	159.9mm
Weight	3678g (18"ref.)



E-Suspension AM 27.5+ (BROSE/BMZ V5 Battery)

Drawing NO.	H99927EBAA09
Material	Alloy 6061
Frame size	16"/18"/20"
Wheel size	27.5"x3.0"
Fork length	571mm
Fork steerer	1-1/8" / 1.5" Tapered
Fork travel	160mm
Headset	FSA NO.57
Motor system	BROSE

Dropout	Thru-Axle M12xP1.75
Disc brake	Post Mount
Seat post	30.4mm
Cable routing	Internal (FΔ)
Weld	Smooth Weld
Shock Length	200mm
Shock Travel	57mm
Wheel Travel	158.5mm
Weight	4024g (18"ref.)



E-Suspension AM 27.5+ (SHIMANO)

Drawing NO.	H99927EBAA11
Material	Alloy 6061
Frame size	16"/18"/20"
Wheel size	27.5"x3.0"
Fork length	571mm
Fork steerer	1-1/8" / 1.5" Tapered
Fork travel	160mm
Headset	FSA NO.57
Motor system	SHIMANO E8000

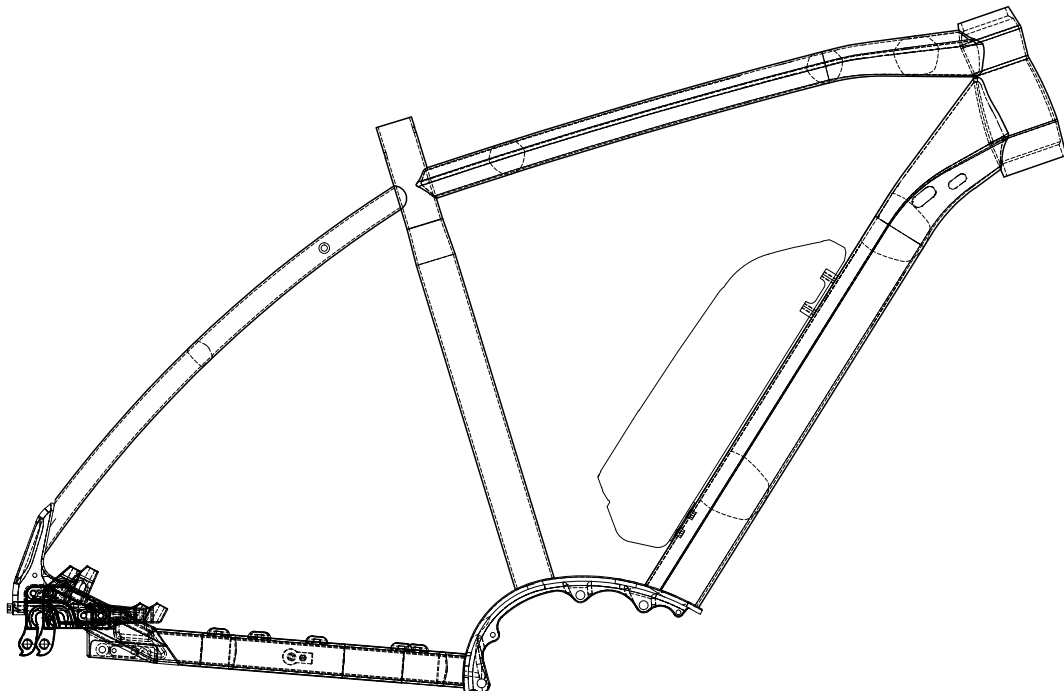
Dropout	Thru-Axle M12xP1.75
Disc brake	Post Mount
Seat post	30.4mm
Cable routing	Internal (FΔ)
Weld	Smooth Weld
Shock length	200mm
Shock travel	57mm
Wheel travel	157.3mm
Weight	3921g (18"ref.)



E-Gent 700C(BOSCH)

Drawing NO.	S99970EBAA03
Material	Alloy 6061
Frame size	50/55/60cm
Wheel size	700Cx48C
Fork length	462mm
Fork steerer	1-1/8" / 1.5" Tapered
Fork travel	50mm
Headset	FSA NO.57

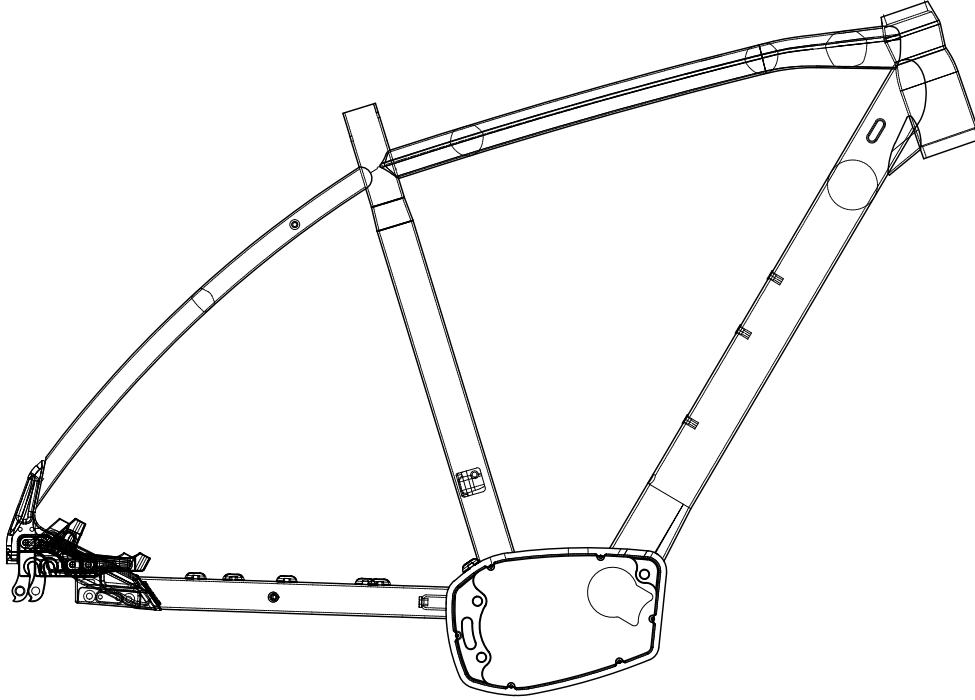
Motor system	BOSCH
Dropout	QR/OLD135mm
Disc brake	Post Mount
Seat post	30.9mm
Cable routing	Internal (FΔ)
Weld	TIG
Weight	2960g (55cm)



E-Gent 700C(BROSE/BMZ V5 Battery)

Drawing NO.	S99970EBAA04
Material	Alloy 6061
Frame size	50/55/60cm
Wheel size	700Cx48C
Fork length	462mm
Fork steerer	1-1/8" / 1.5" Tapered
Fork travel	50mm
Headset	FSA NO.57

Motor system	BROSE
Dropout	QR/OLD135mm
Disc brake	Post Mount
Seat post	30.9mm
Cable routing	Internal (FΔ)
Weld	TIG
Weight	3540g (55cm)



E-Gent 700C(SHIMANO)

Drawing NO.	S99970EBAA05
Material	Alloy 6061
Frame size	50/55/60cm
Wheel size	700Cx48C
Fork length	462mm
Fork steerer	1-1/8" / 1.5" Tapered
Fork travel	50mm
Headset	FSA NO.57

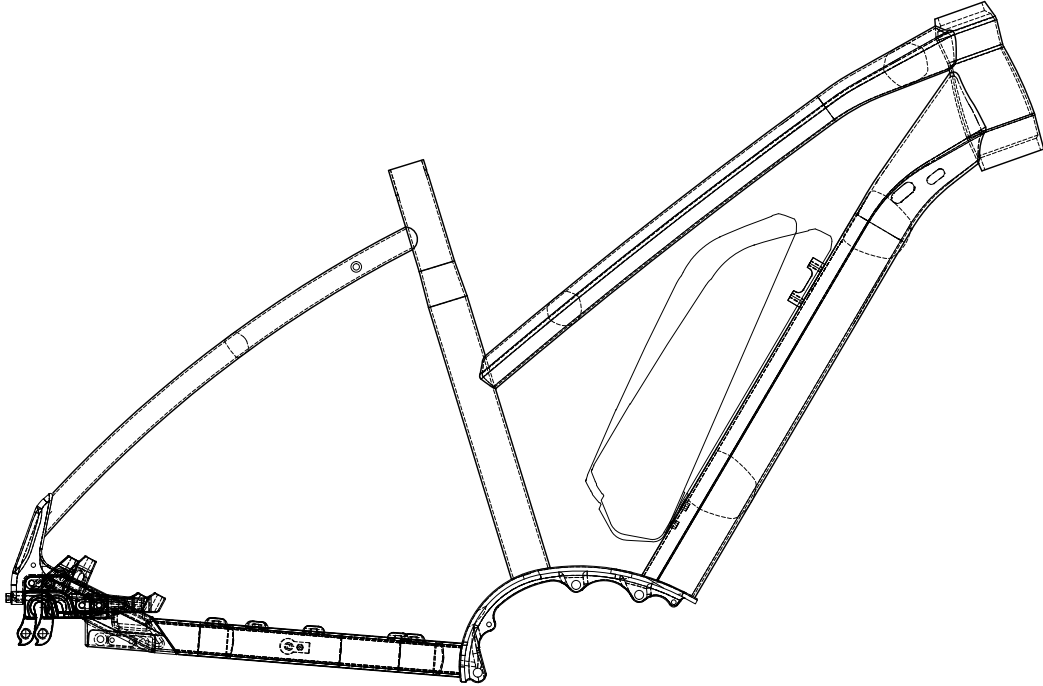
Motor system	SHIMANO E6000
Dropout	QR/OLD135mm
Disc brake	Post Mount
Seat post	30.9mm
Cable routing	Internal (FΔ)
Weld	TIG
Weight	3060g (55cm)



E-Lady 700C(BOSCH)

Drawing NO.	S99970ELAA03
Material	Alloy 6061
Frame size	45/50/55cm
Wheel size	700Cx48C
Fork length	462mm
Fork steerer	1-1/8" / 1.5" Tapered
Fork travel	50mm
Headset	FSA NO.57

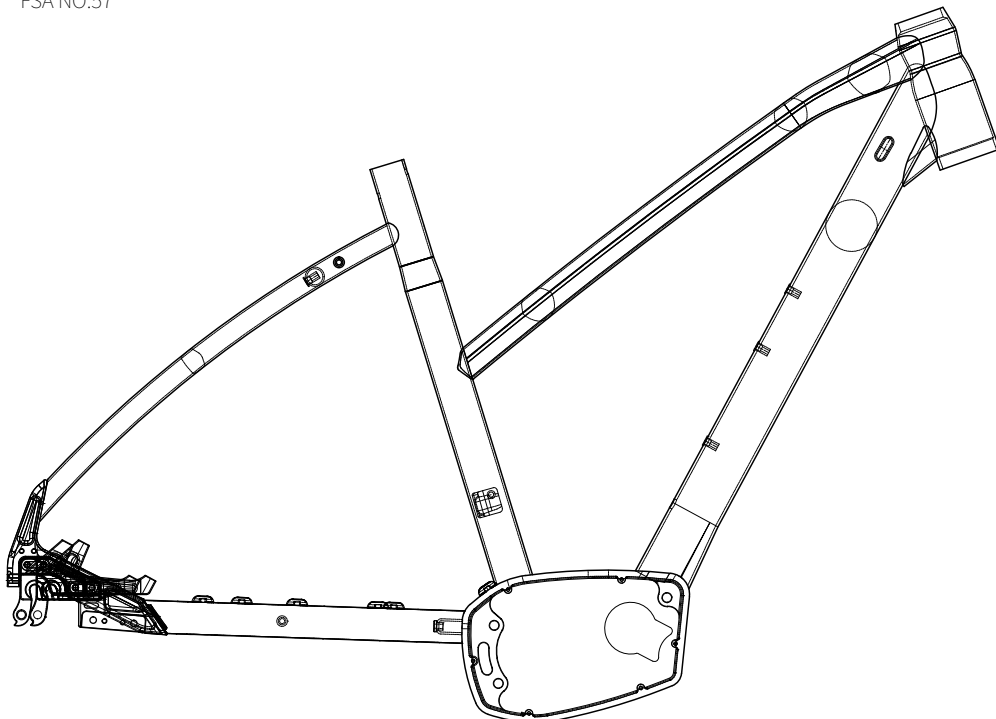
Motor system	BOSCH
Dropout	QR/OLD135mm
Disc brake	Post Mount
Seat post	30.9mm
Cable routing	Internal (FΔ)
Weld	TIG
Weight	2810g (50cm)



E-Lady 700C(BROSE/BMZ V5 Battery)

Drawing NO.	S99970ELAA04
Material	Alloy 6061
Frame size	45/50/55cm
Wheel size	700Cx48C
Fork length	462mm
Fork steerer	1-1/8" / 1.5" Tapered
Fork travel	50mm
Headset	FSA NO.57

Motor system	BROSE
Dropout	QR/OLD135mm
Disc brake	Post Mount
Seat post	30.9mm
Cable routing	Internal (FΔ)
Weld	TIG
Weight	2910g (50cm)



E-Lady 700C(SHIMANO)

Drawing NO.	S99970ELAA05
Material	Alloy 6061
Frame size	45/50/55cm
Wheel size	700Cx48C
Fork length	462mm
Fork steerer	1-1/8" / 1.5" Tapered
Fork travel	50mm
Headset	FSA NO.57

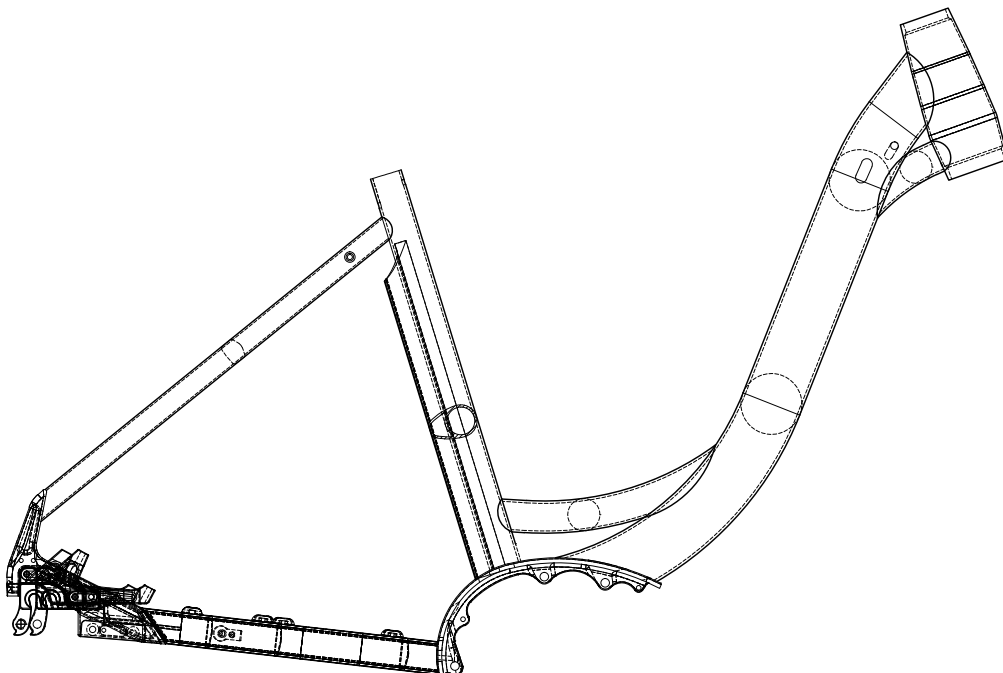
Motor system	SHIMANO E6000
Dropout	QR/OLD135mm
Disc brake	Post Mount
Seat post	30.9mm
Cable routing	Internal (FΔ)
Weld	TIG
Weight	2910g (50cm)



E-Wave 700C(BOSCH)

Drawing NO.	S99970ELAA01
Material	Alloy 6061
Frame size	45/50/55cm
Wheel size	700Cx48C
Fork length	462mm
Fork steerer	1-1/8" / 1.5" Tapered
Fork travel	50mm
Headset	FSA NO.57

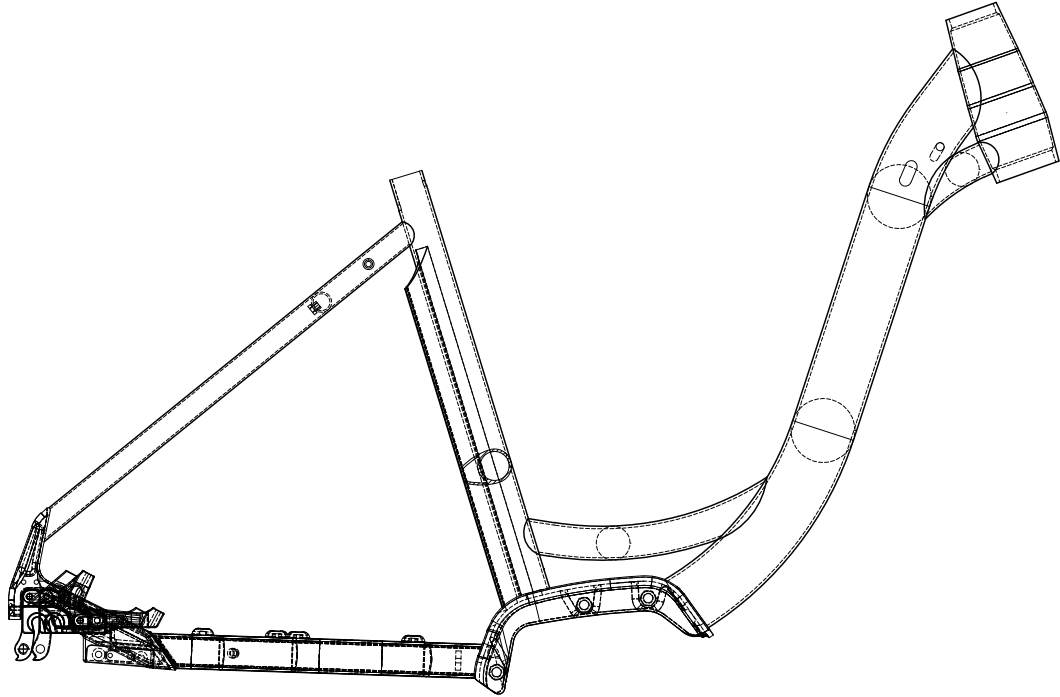
Motor system	BOSCH
Dropout	QR/OLD135mm
Disc brake	Post Mount
Seat post	27.2mm
Cable routing	Internal (FΔ)
Weld	TIG
Weight	3000g (50cm) w/o carrier



E-Wave 700C(SHIMANO)

Drawing NO.	S99970ELAA02
Material	Alloy 6061
Frame size	45/50/55cm
Wheel size	700Cx48C
Fork length	462mm
Fork steerer	1-1/8" / 1.5" Tapered
Fork travel	50mm
Headset	FSA NO.57

Motor system	SHIMANO E6000
Dropout	QR/OLD135mm
Disc brake	Post Mount
Seat post	27.2mm
Cable routing	Internal (FΔ)
Weld	TIG
Weight	3100g (50cm) w/o carrier



E-Wave (BOSCH)

Drawing NO.	S99970ELAA06
Material	Alloy 6061
Frame size	45/50/55cm
Wheel size	700Cx48C
Fork length	462mm
Fork steerer	1-1/8" / 1.5" Tapered
Fork travel	50mm
Headset	FSA NO.57

Motor system	BOSCH
Dropout	QR /OLD 135mm
Disc brake	Is Mount
Seat post	30.9mm
Cable routing	Internal (FΔ)
Weld	TIG
Weight	2730g (45cm)



E-Wave (SHIMANO)

Drawing NO.	S99970ELAA07
Material	Alloy 6061
Frame size	45/50/55cm
Wheel size	700Cx48C
Fork length	462mm
Fork steerer	1-1/8" / 1.5" Tapered
Fork travel	50mm
Headset	FSA NO.57

Motor system	SHIMANO E6000
Dropout	QR/OLD 135mm
Disc brake	Is Mount
Seat post	30.9mm
Cable routing	Internal (FΔ)
Weld	TIG
Weight	2800g (45cm)

SUNRISE





SUNRISE



SUNRISE BICYCLE INDUSTRIAL CO.,LTD.





SUNRISE BICYCLE INDUSTRIAL CO., LTD

www.sunrise.org.tw

TEL: +886-4-26812368 FAX: +886-4-26816133

email: sales_sunrise@sunrise.org.tw

ADD: No.139, Tongtian Rd., Dajia Dist., Taichung City 437, Taiwan

地址: 台中市大甲區通天路 139 號

Release Date:2016/08/15